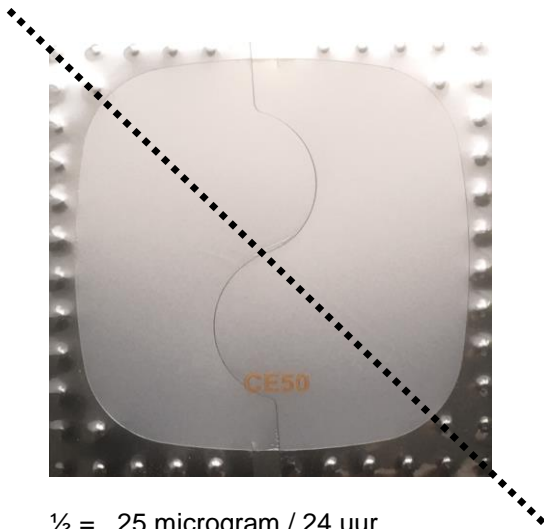
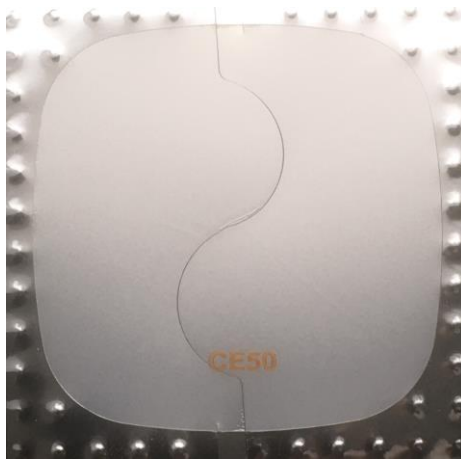
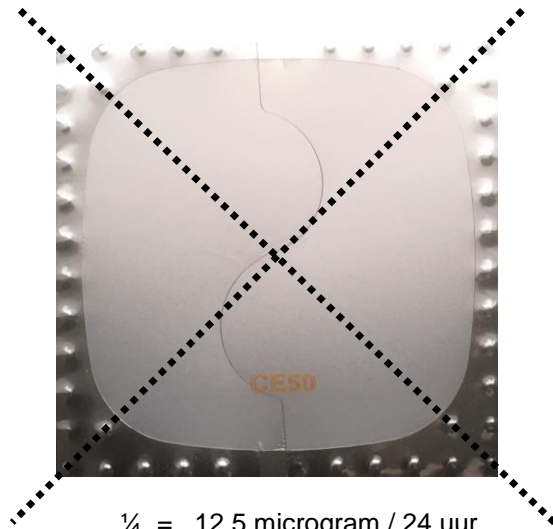


System patch 50 microgram

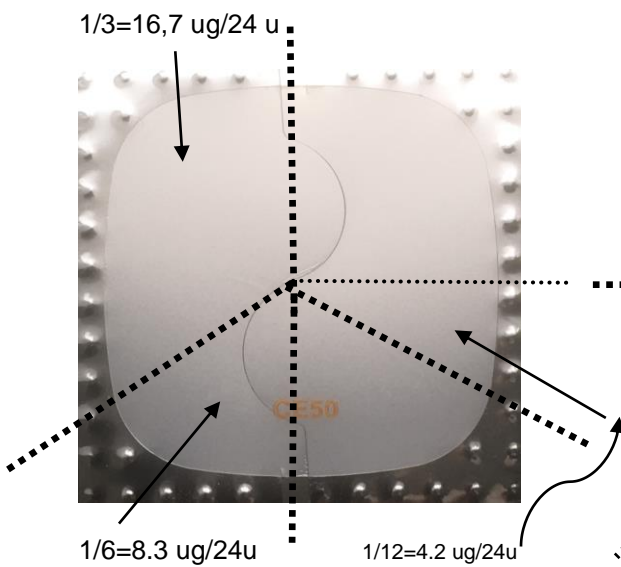
TCJ Sas, oktober 2023



$\frac{1}{2} = 25 \text{ microgram} / 24 \text{ uur}$



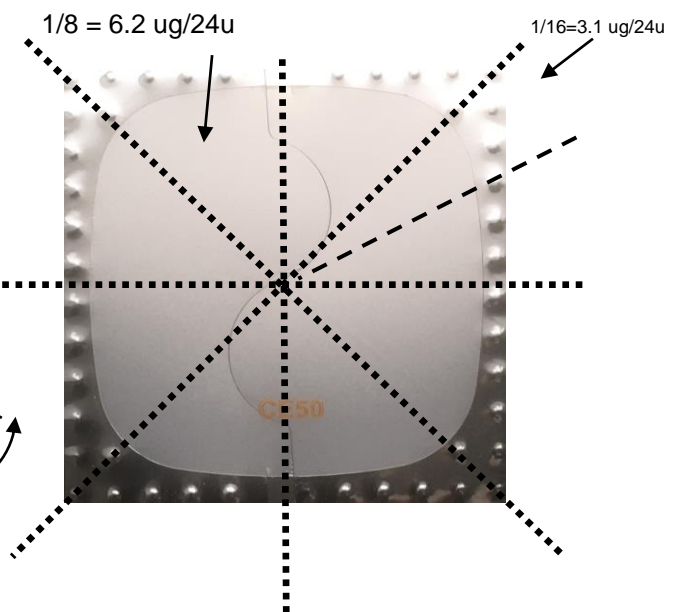
$\frac{1}{4} = 12,5 \text{ microgram} / 24 \text{ uur}$



$\frac{1}{3} = 16,7 \text{ ug/24 u}$

$\frac{1}{6} = 8.3 \text{ ug/24u}$

$\frac{1}{12} = 4.2 \text{ ug/24u}$



$\frac{1}{8} = 6.2 \text{ ug/24u}$

$\frac{1}{16} = 3.1 \text{ ug/24u}$